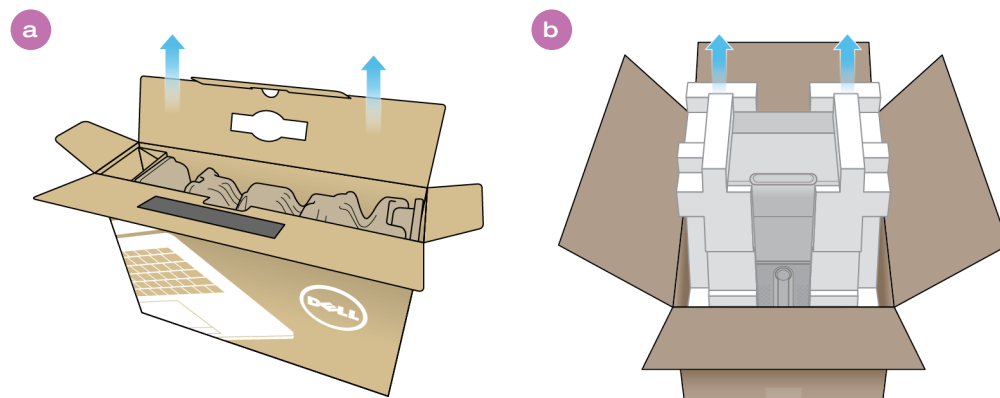
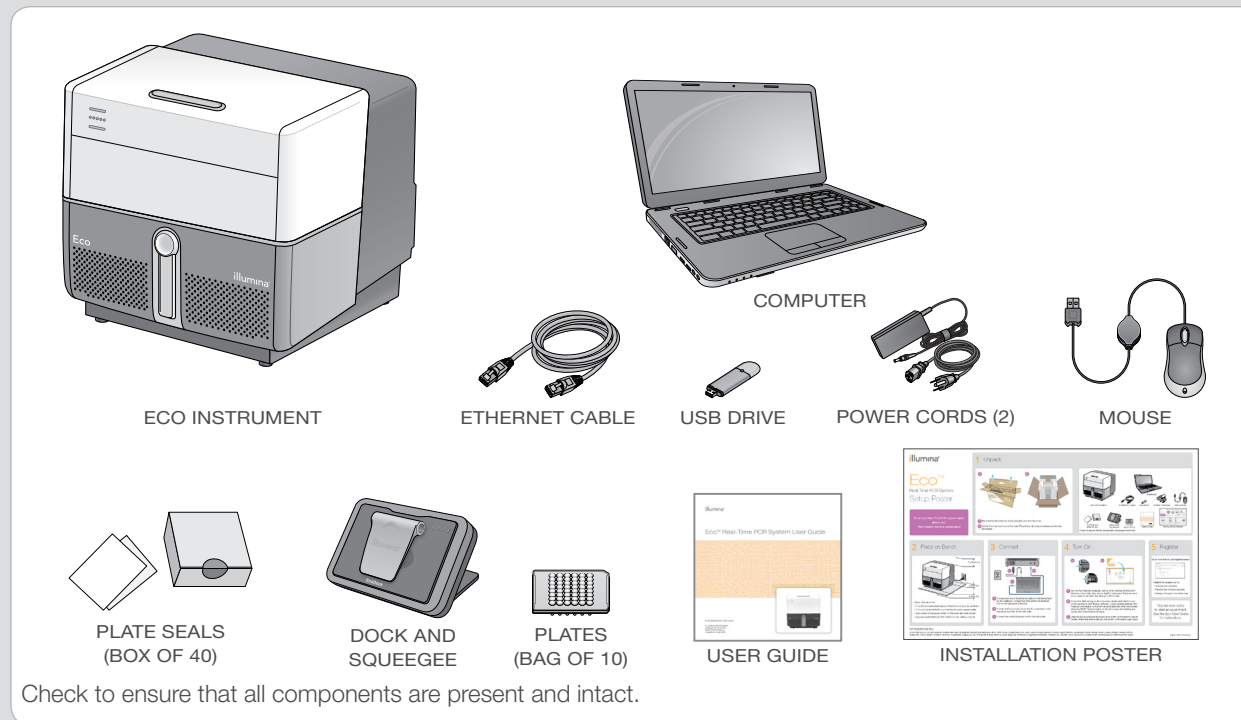


For all your Real-Time PCR support needs,
please visit:
<http://support.illumina.com/ecoqpcr>

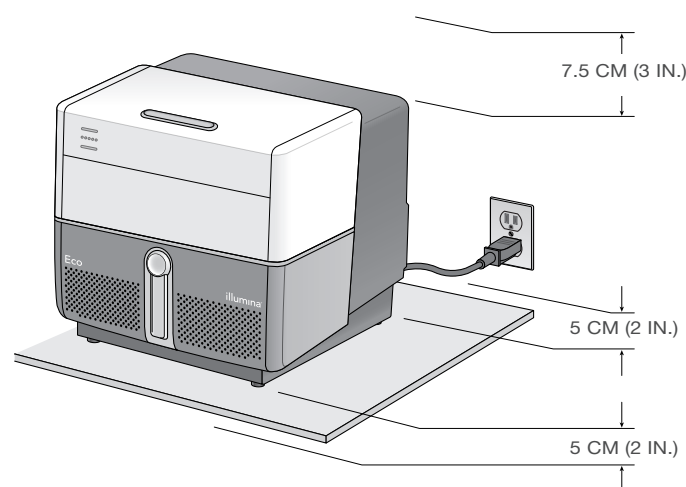
1 Unpack



- a** Remove the computer and accessories box from the crate.
- b** Lift the Eco instrument out of the crate. Place it on a flat surface and remove the foam packaging.



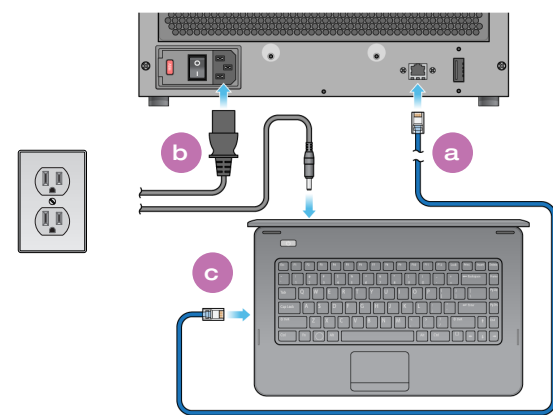
2 Place on Bench



Space Requirements

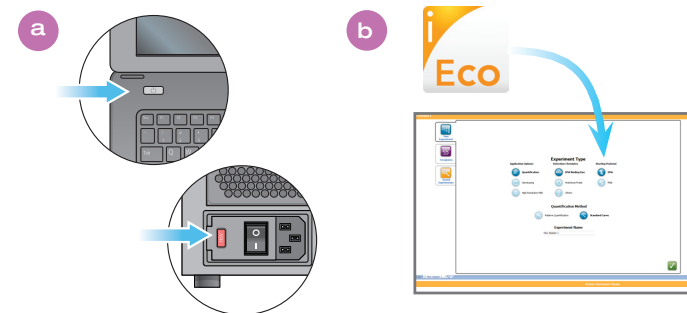
- 5 cm (2 in.) of unimpeded space at the front and back for ventilation.
- 7.5 cm (3 in.) above the Eco so that the lid can be opened safely.
- Easy access to the power switch on the lower right back corner.
- Two wall outlets (100–240 VAC, 50/60 Hz, 5A) within 2 m (6 ft.)

3 Connect



- a** Connect one end of the Ethernet cable to the Ethernet port on the computer. Connect the other end to the Ethernet port on the rear panel of the Eco.
- b** Connect the Eco power cord to the AC power inlet on the rear panel, and then to the wall outlet.
- c** Connect the computer power cord to the wall outlet.

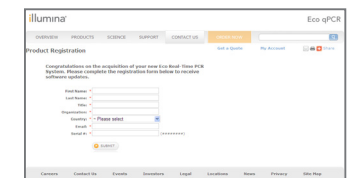
4 Turn On



- a** Turn on the computer, wait up to five minutes for Microsoft Windows to boot fully, then turn on the Eco instrument. The instrument runs a series of self-tests that take up to 20 minutes.
- b** At any time after turning on the instrument, double-click the Eco icon on the desktop to start the Eco software. Communication between the computer and the Eco instrument will be established within five minutes. When the READY indicator lights on the front panel stop flashing and remain solid, the instrument is ready.
- c** Open the Eco by pressing the round silver button on the front to raise its handle, while lifting the handle from the bottom until the Eco pops open.

5 Register

Go to www.illumina.com/registeryoureco.



Registration enables you to:

- Activate your warranty
- Receive free software upgrades
- Make purchases in our online store

You are now ready
to start an experiment.
See the Eco User Guide
for instructions.